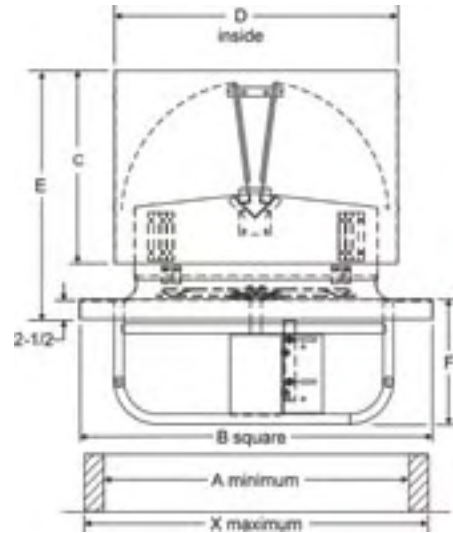


BELT DRIVE PERFORMANCE

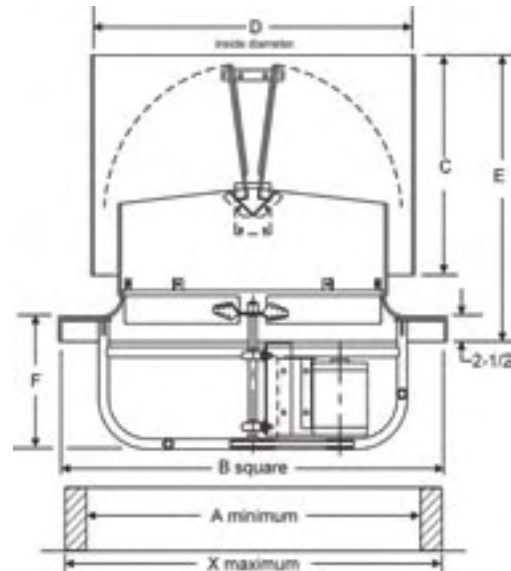
Prop Dia.	HP	RPM	0" SP CFM	1/8" CFM	1/4" CFM	0" BHP
24"	1/2	985	5652	4967	4152	0.57
	3/4	1133	6501	5940	5309	0.74
	1	1256	7207	6690	6121	1.01
30"	3/4	773	8870	7900	6493	0.77
	1	849	9742	8944	7836	1.02
	1-1/2	979	11233	10730	9644	1.57
36"	2	1085	12449	12072	11061	2.13
	1	661	12367	10698	9401	0.97
	1-1/2	767	14350	13024	11250	1.51
	2	857	16033	14810	13804	2.11
	3	981	18353	17355	16406	3.17
42"	5	1172	21927	21057	20291	5.4
	1-1/2	598	17332	15616	13557	1.39
	2	670	19418	17958	16174	1.95
	3	781	22635	21475	19943	3.09
48"	5	928	26896	25994	24767	5.18
	3	633	27124	25307	22865	2.99
	5	764	32737	31248	29633	5.26
60"	3	394	36216	31488	26008	3.04
	5	473	43478	39543	35691	5.25



UP SERIES

BELT DRIVE

Prop Dia.	EDP Number	Catalog Number	Motor HP	Ship Wt.	List Price	
					1PH 115/230V	3PH 230/460V
24"	30600	UPB24R-G3	1/2	270	\$2873	-
	30610	UPB24R-H3	3/4	270	\$2975	-
	30620	UPB24R-I3	1	270	\$2974	-
	30850	UPB24R-G8	1/2	270	-	\$2816
	30860	UPB24R-H8	3/4	270	-	\$2853
	30870	UPB24R-I8	1	270	-	\$2837
30"	30630	UPB30R-H3	3/4	330	\$3576	-
	30640	UPB30R-I3	1	330	\$3598	-
	30650	UPB30R-J3	1 1/2	330	\$3715	-
	30880	UPB30R-H8	3/4	330	-	\$3467
	30890	UPB30R-I8	1	330	-	\$3531
	30900	UPB30R-J8	1 1/2	330	-	\$3657
36"	30910	UPB30R-K8	2	330	-	\$3651
	30670	UPB36R-I3	1	375	\$4315	-
	30680	UPB36R-J3	1 1/2	375	\$4424	-
	30920	UPB36R-I8	1	375	-	\$4146
	30930	UPB36R-J8	1 1/2	375	-	\$4367
	30940	UPB36R-K8	2	375	-	\$4275
42"	30950	UPB36R-L8	3	375	-	\$4651
	30960	UPB36R-M8	5	375	-	\$5160
	30720	UPB42R-J3	1 1/2	525	\$4998	-
	30970	UPB42R-J8	1 1/2	525	-	\$4958
48"	30980	UPB42R-K8	2	525	-	\$4907
	30990	UPB42R-L8	3	525	-	\$5225
	31000	UPB42R-M8	5	525	-	\$5816
	31010	UPB48R-L8	3	600	-	\$5971
60"	31020	UPB48R-M8	5	600	-	\$6170
	31030	UPB60R-L8	3	800	-	\$8247
	31040	UPB60R-M8	5	800	-	\$8640



UPB SERIES

DIMENSIONS (INCHES)

Prop Dia.	A Min.	B	C	D	E	F*		X Max.
						UP	UPB	
18	24	33	18	24	22	9 1/4		32
24	30	39	22	30	26	10 1/2	15 1/4	38
30	36	45	25	36	29	14 3/4	16 1/4	44
36	42	51	28	42	32	14 3/4	16 1/4	50
42	48	57	32	48	36	17 3/4	16 1/4	56
48	54	63	34	54	38	18	16 1/2	62
60	66	75	42	66	46	18	16 1/2	74

*APPROXIMATE - varies with motor size.

